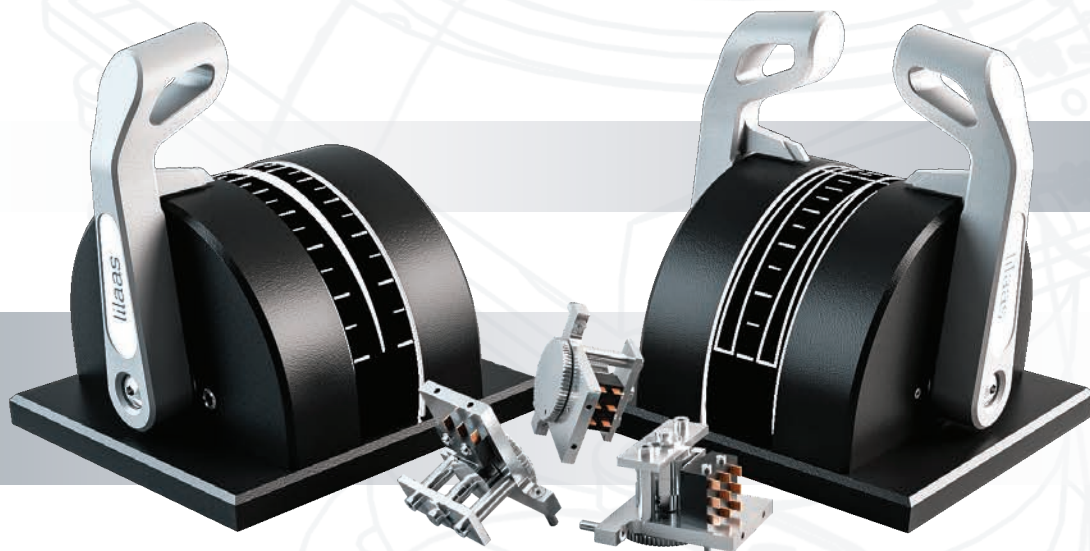




LE90 Control Lever

lilaas[®]



LE90, the high quality - low cost all-in-one thruster and propulsion lever

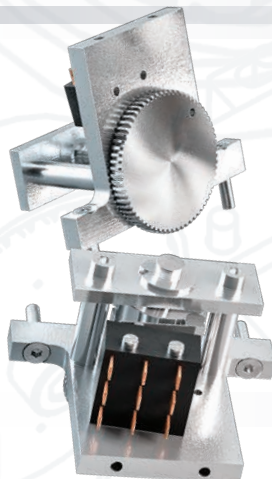
No need for dedicated thruster/propulsion, FWD or AFT levers, LE90 covers it all. Flush mounted with adjustable brakes and detents.

• Quality Control lever

- High quality - Low cost! Single or double lever.
- LED-illuminated interchangeable scales in the box. (5v or 24v)
- Space saving! Flush mounted, no parts under the plate.
- Snap on single/double switches available as option.
- Adjustable brakes and detents.
- Interchangeable single, double and triple switch modules.



- Single or double lever.
- 5K Ω potentiometer.
- Detent in zero and 20% included.
- Mechanical movement +/- 60 degree.
- Adjustable friction.
- Block aft option. (additional screw in the box)
- Illuminated LED scale.





- Adjustable and customisable

- Available as single or double control lever.
- Interchangeable custom logo space on the handle.
- 3 pre-adjusted and easily interchangeable switch modules are available for both versions of the LE-90.
- Adjustment screws for adjusting friction, handle detent point and block movement aft.
- 3 interchangeable LED illuminated scales in the box.



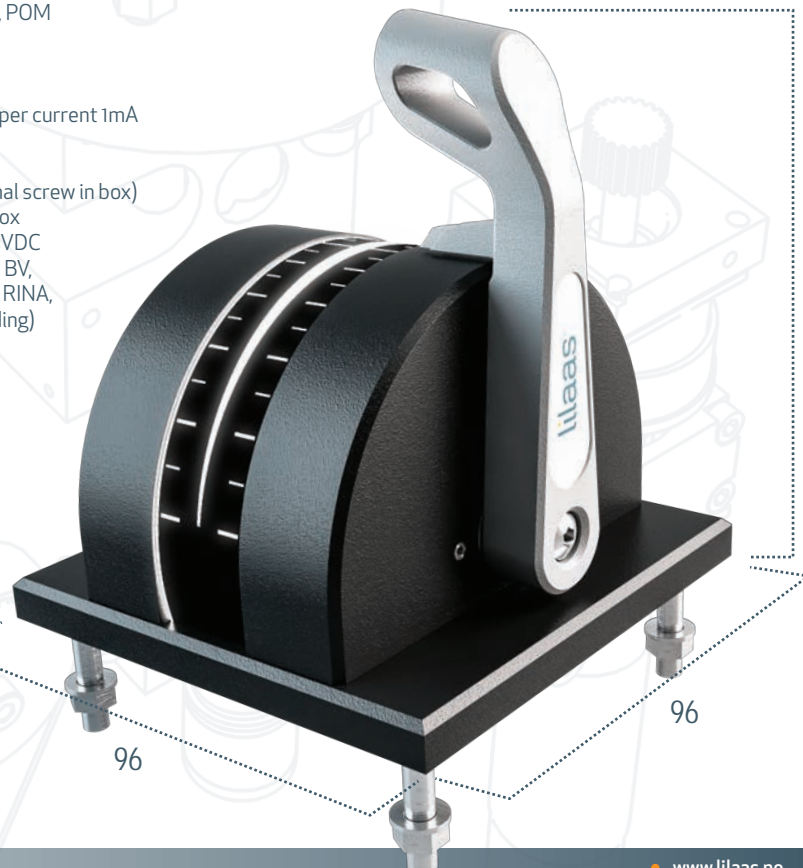
- **Specification details**

Enclosure:	IP66
Materials:	Aluminium, Steel A2, POM
Finish:	Anodised, SurTec
Appr. weight	900g
Handle movement / Electrical movement:	+/- 60° / 246 deg
Potentiometer:	5KΩ 350 deg max wiper current 1mA
Detent:	Zero and +/- 20%.
Friction:	Adjustable
Block aft movement:	One handle (additional screw in box)
Scale foil:	3 types included in box
Illuminated scale:	RGB led, 5VDC or 24VDC
Type approval*:	EN/IEC 60945, ABS, BV, DNV/GI, KR, LR, NK,, RINA, PRS, RS,C,RS (*Pending)

- This control lever is one of several models developed and manufactured by Lilaas AS. It has been tested according to our final test and final control procedures.

- **Product NO and additional products:**

LE90S-01-01	LE90 Control Lever Single
LE90D-01-01	LE90 Control Lever Double
LF16441 LE90	2 x switch direction module
LF 16442 LE90	1 x switch zero module
LF16539 LE90	2 x switch direction + 1 x zero module



lilaas®

Lilaas AS is a world leading manufacturer of various types of control levers and joysticks for marine and offshore use.

As a result of unique design, top-grade materials and thorough test procedures, we produce products of high quality that requires a minimum of service and maintenance.

The control units from Lilaas include levers, controlling mechanism and accompanying electronics.

The products range from simple, one-axis control levers in different sizes, hand wheels and rudder controls to azimuth control units and multi-axis joysticks.

All units may be delivered motorised on all axes and with several optional features. The products comply with stringent certification requirements.

All kinds of vessels, from small fishing boats and ferries, via supply vessels to large tankers and cruise ships may be manoeuvred by control levers from Lilaas.

The products are certified by DNV and the company is certified under NS-EN ISO 9001: 2015.

LILAAS AS
Kongeveien 75
PB 705
N-3196 HORTEN
NORWAY

Tel: +47 41 63 30 00
E-mail: sales@lilaas.no
www.lilaas.no

Certified Distributor
USA and Canada
IMTRA CORPORATION

30 Samuel Barnet Blvd.
New Bedford, MA, 02745
USA

Tel: +1 508 995-7000
Fax: +1 508 998-5359
alex@imtra.com
www.imtra.com

Certified Distributor
Greece, Turkey, Egypt and Israel
AMALTHEIA MARINE LTD

13 Papaflessa str,
N. Chalkidona 143 43 Athens
Greece

Tel: +30 210 2588985
Fax: +30 210 2588986
amalmar@otenet.gr
www.amaltheiamarine.gr

Certified Distributor
China, Hong Kong and Taiwan
SHANGHAI EJH GROUP CO. LTD

Room 222, Li Tong Business Building
No.349 Jiudu Road, Shanghai
P.R.China 201615

Tel: +86(21) 57611605/57611607 ext:8008
Fax: +86(21) 61303138
cindy@ejhui.com
www.ejhui.com

Certified Distributor
Holland and Belgium
ELMA BV

Sterrenbergweg 50
3769 BT Soesterberg
The Netherlands

Tel: +31(0)346 35 60 60
Fax: +31(0)346 35 30 24
sales@elmabv.nl
www.lilaas-elma.nl

Certified Service Partner
Singapore
Z-POWER AUTOMATION PTE LTD

No. 8 Penjuru Lane
Singapore 609189
Singapore

Tel: +65 64651925
Fax: +65 64651926
info@z-power.com.sg
www.z-power.com.sg