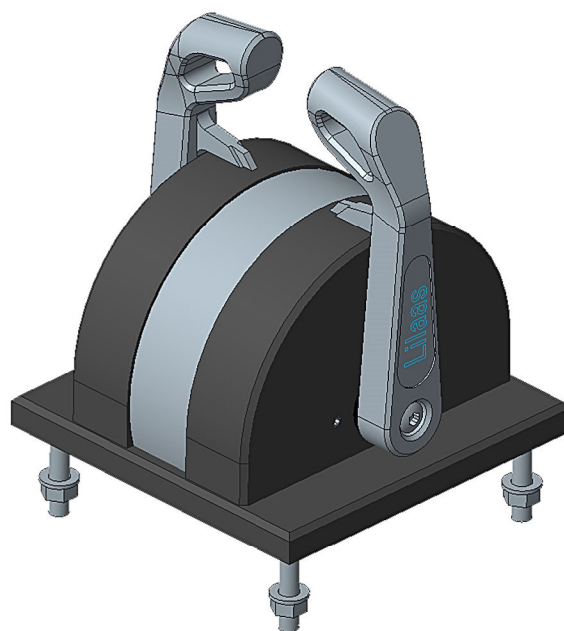
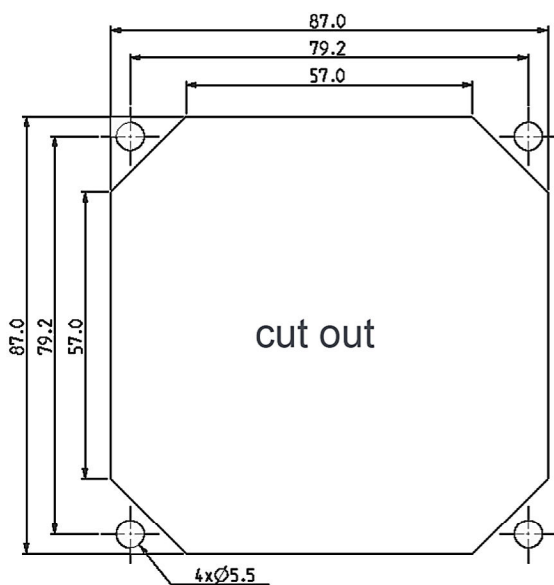
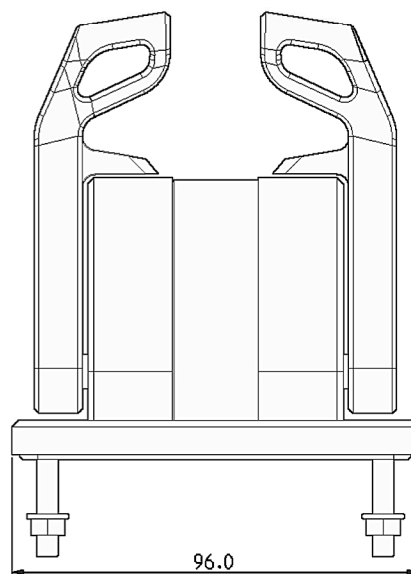
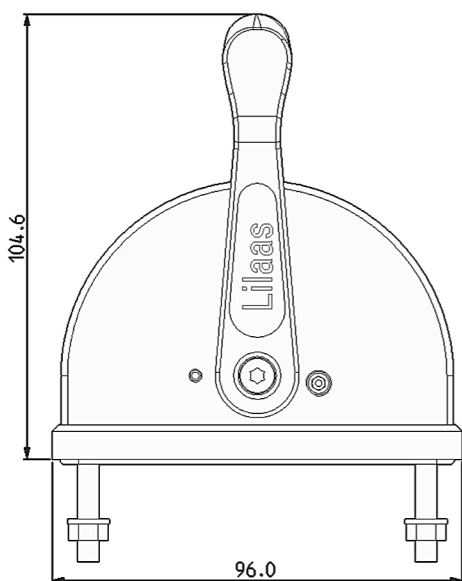


Datasheet

Control lever LE90

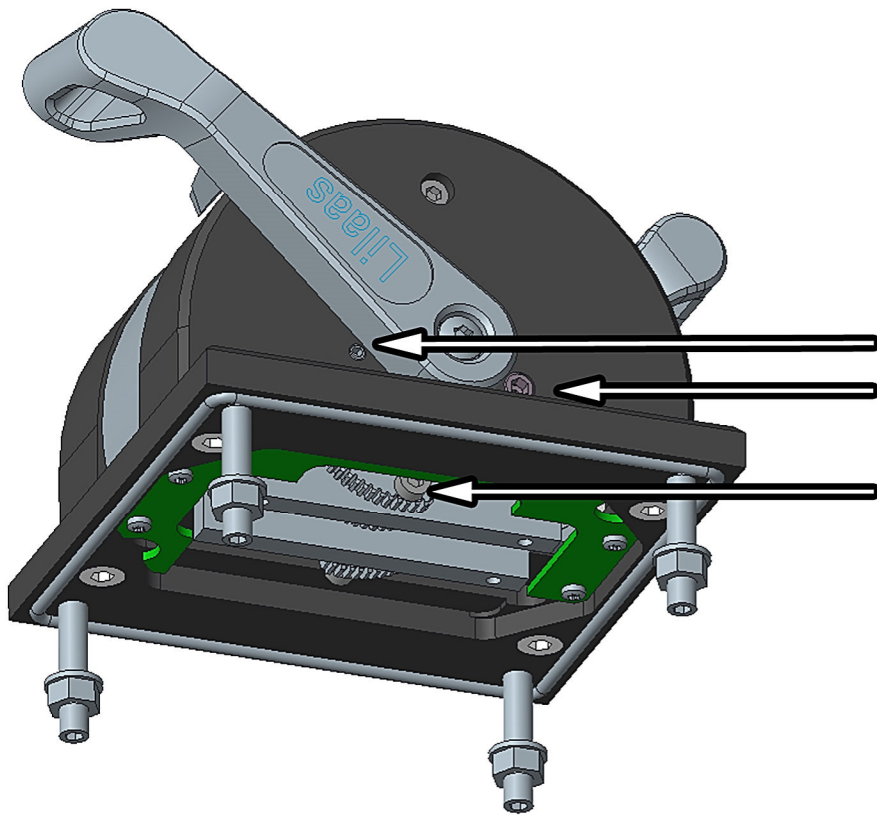
This control lever is one of several models developed and manufactured by Lilaas AS. It has been tested according to our final test and final control procedures.



Lilaas AS
Kongeveien 75,
P.B. 705, N-3196 Horten, Norway

Specification details

Enclosure	IP66
Materials	Aluminum, Steel A2, POM
Finish	Anodised, SurTec
Appr. weight	900g
Handle movement / Electrical movement	+/- 60 deg / 246 deg
Potentiometer (102069A)	5K 350 deg max wiper current 1mA
Detent	Zero and soft detent in +/-10 deg
Friction	Adjustable
Block aft movement	One handle (additional screw in box)
Scale foil	3 types included in box
Illuminated scale	RGB led, 5VDC or 24VDC



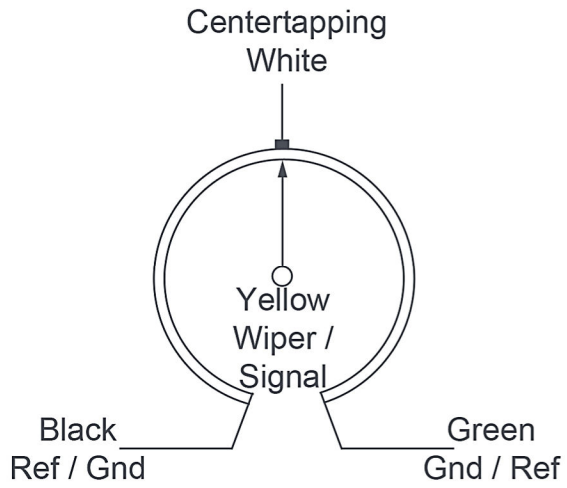
Adjustments

Set screw for adjusting friction
Use 1,5 mm hexagon key.

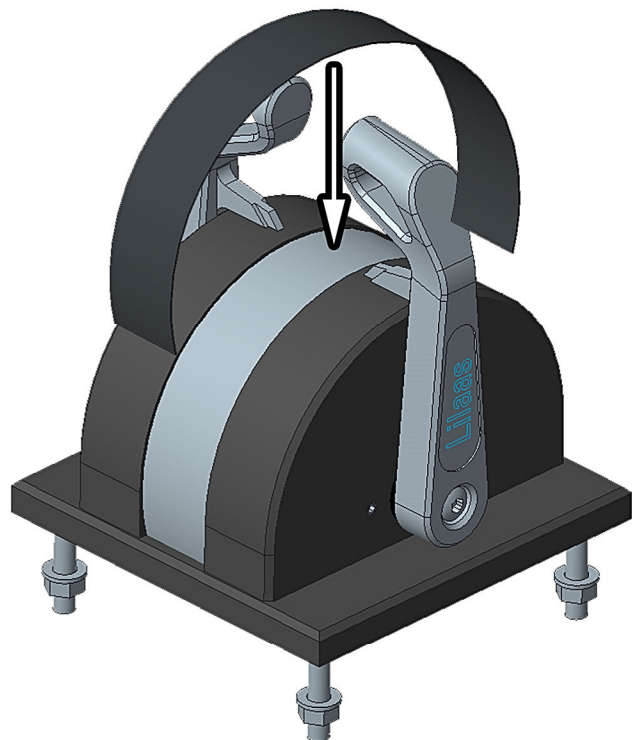
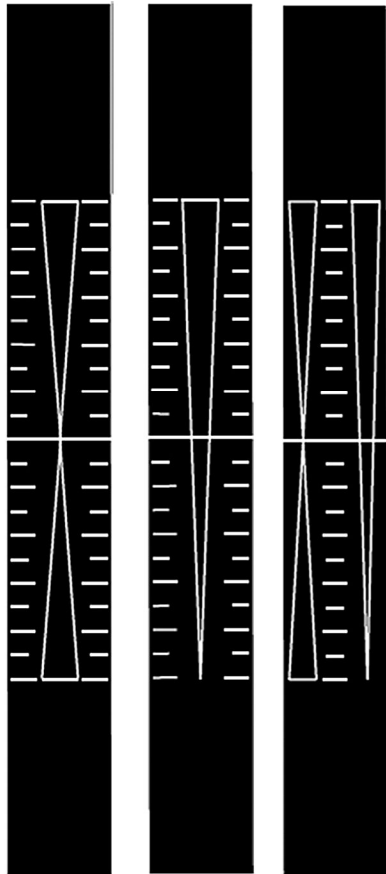
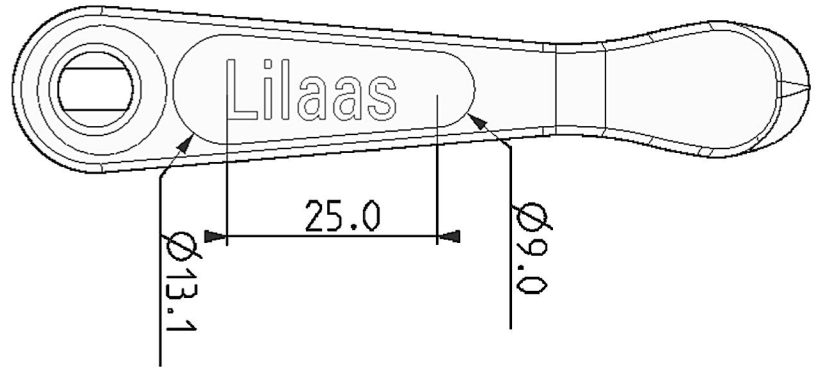
Set screw for removing handle
detent point.

Use additional M3 screw for block
movement aft

Wiring

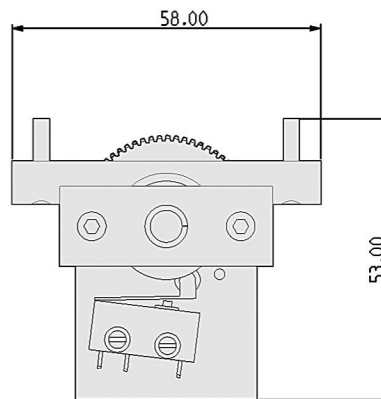
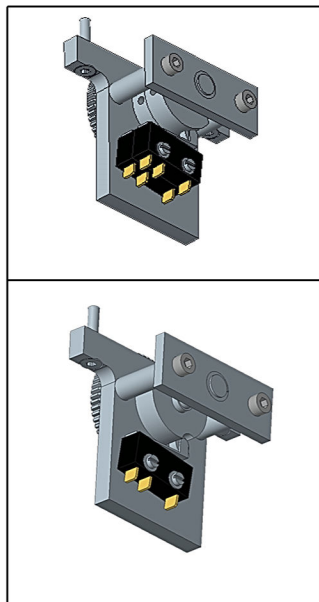
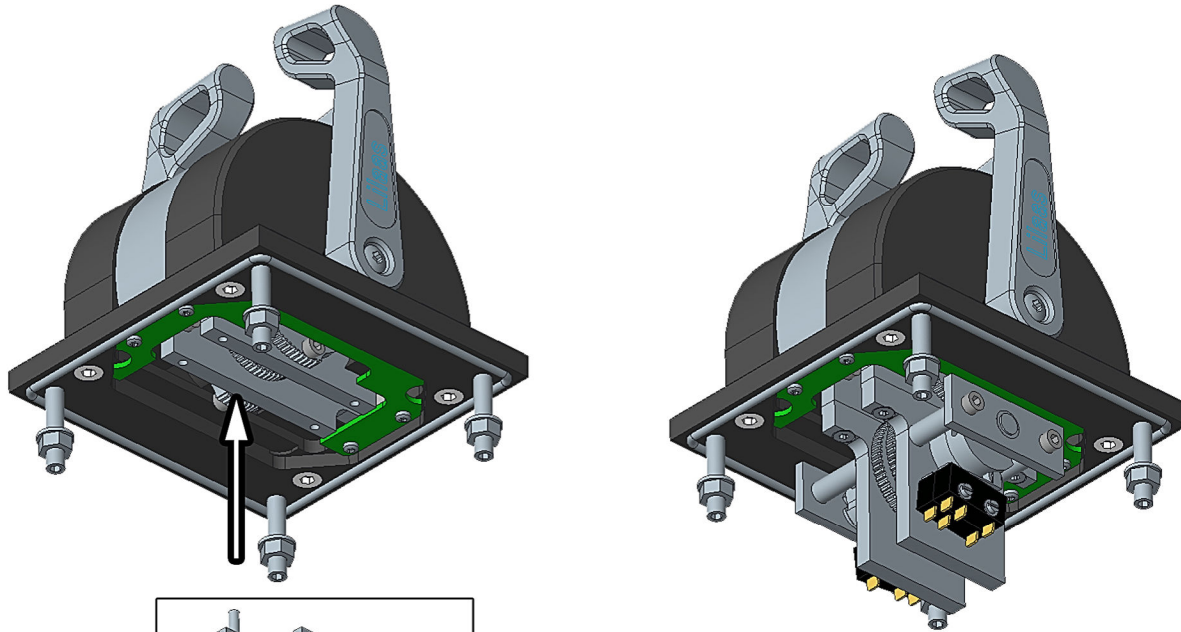


Logo area dimensions



Additional products

You can easily install different versions of additional Micro switch moduls.



Part no

LE90S-01-01	LE90 Control Lever Single
LE90D-01-01	LE90 Control Lever Double
LF16441	LE90 Switch direction module
LF16442	LE90 Switch zero module