

Lilaas control lever – LF180

Lilaas offers a wide range of high quality type approved multipurpose levers for single and double propulsion control.

Below you will find a simple technical description of basic LF180 models.



Specification details basic versions

Materials / Finish	Steel A2, Al, POM, alodine, powder coating
Weight (net)	1,5 - 1,7 kg
Movement, handle / electrical	$\pm 60^\circ / 320^\circ$
Detent	In zero
Potentiometers	Single 5 k Ω , linear
Termination	16 pins contact with plug
Integrated scale light	28V, bulb
Type approval: EN/IEC 60945, ABS, BV, DNV, GL, KR, LR, NK, RINA, RS, CRS	
For standard scales, external dimensions and cut-out, see page 2. For customization and options see page 3.	

Lilaas AS, Kongeveien 75, P.O. Box705, N-3196 Horten, Norway. Tel: +47 33 03 18 50, fax: +47 33 03 18 60
Bank no: 2450.05.05628, NO917 748 446 MVA, E-mail : sales@lilaas.no

Certified according to NS-EN ISO 9001:2008

For more info, see our website <http://www.lilaas.no/>

Our standard scales for LF180 control levers:

Text: Helvetica medium, colour Marabu NCS-S 1500-N, id no. 449 offwhite.

Background colours: Green - Marabu SR 1616, id no. 221.

Red - Marabu SR 1323, id no. 248. Black - Marabu SR 073.

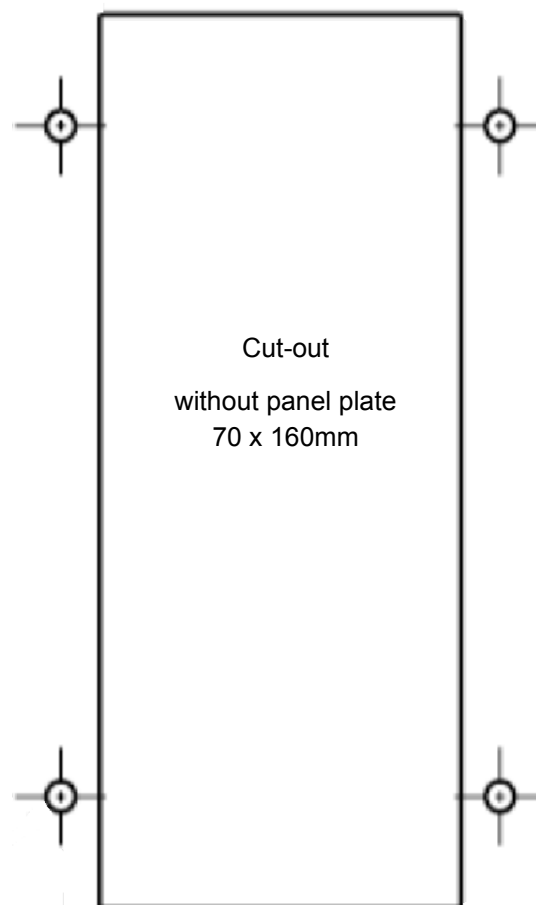
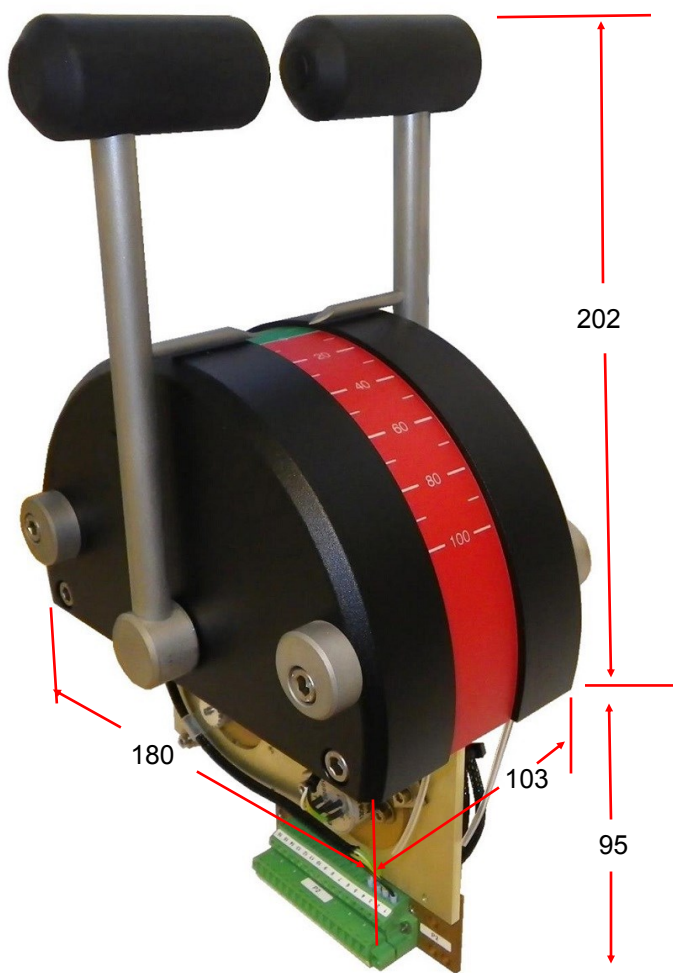
Scale light: 24V bulbs.

The potentiometer is of a plastic conductive type measuring 5 k Ω between the end points. The potentiometer must be used as a voltage divider and not as a rheostat. Wiper current must not exceed 1 mA..

FWD



LF180, external dimensions and cut-out



Lilaas LF90 and LF120 are smaller versions of this controller.

Lilaas LF180 basic models:



Do you need an extended version? To simplify the customization process, please fill in your request to Lilaas in the *Spec your request* form below and forward it to: sales@lilaas.no

We will revert with price and availability.

Spec your request		
Options, other than standard	Yes	Description
Panel plate 214 x 144 mm		
Panel plate custom		
Handle / shaft		
Handle interlock straight handle		
Limited handle movement		
Scale		
Potentiometer		
Detents		
Micro switch		
Aft version		
Other		

Specification from:	Contact person:
Company:	E-mail:
	Telephone:



Lilaas AS is a world leading manufacturer of various types of control levers and joysticks for marine and offshore use.

As a result of unique design, top-grade materials and thorough test procedures, we produce products of high quality that requires a minimum of service and maintenance.

The control units from Lilaas include levers, controlling mechanism and accompanying electronics.

The products range from simple, one-axis control levers in different sizes, hand wheels and rudder controls to azimuth control units and multi-axis joysticks.

All units may be delivered motorised on all axes and with several optional features. The products comply with stringent certification requirements.

All kinds of vessels, from small fishing boats and ferries, via supply vessels to large tankers and cruise ships may be manoeuvred by control levers from Lilaas.

The products are certified by DNV and the company is certified under NS-EN ISO 9001-2008.

Lilaas AS

Kongeveien 75, P.O. Box705, N-3196 Horten, Norway.

Tel: +47 33 03 18 50, fax: +47 33 03 18 60

E-mail : sales@lilaas.no

Certified service partner:

Z-POWER Automation Pte Ltd
No. 8 Penjura Lane
Singapore 609189
SINGAPORE

Tel: +6564651925
Fax: +6564651926
E-mail: info@z-power.com.sg
www.z-power.com.sg

Certified distributor:

Shanghai EJH Group Co. Ltd
Room 501, No.1165, Jiang Ning Road,
Shanghai, CHINA 200060

Tel: +61072296/62300624/61398478
Hotline: 18017019329
Fax: +862161303138
E-mail: sales@ejhul.com
www.ejhul.com

Certified distributor:

Imtra Corporation
30 Samuel Barnet Boulevard
New Bedford, MA 02745 USA

Tel: +1 508 995-7000
Fax: +1 508 998-5359
E-mail: alex@imtra.com
www.imtra.com

