

## LF50 Multifunction Joystick



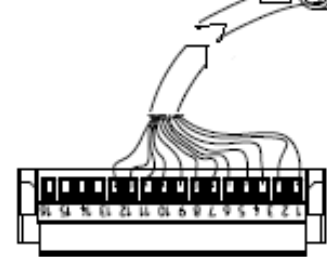
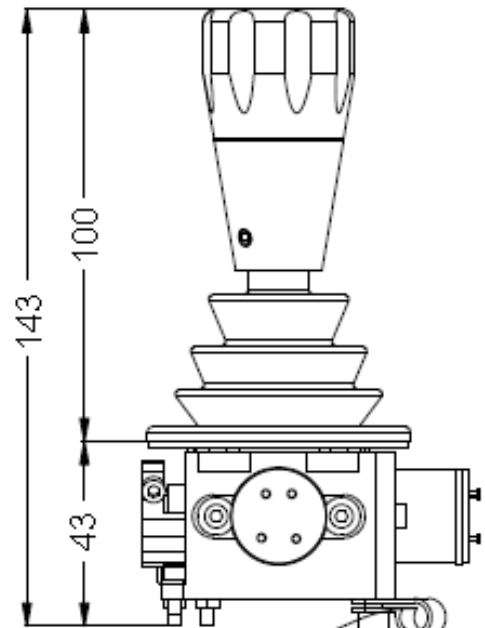
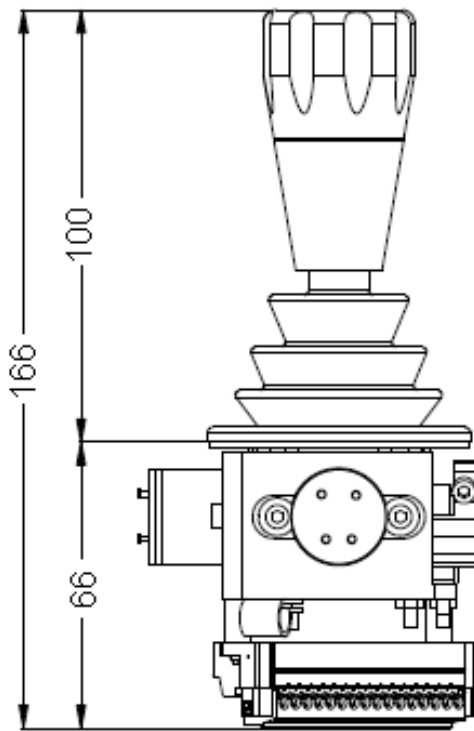
A multifunction-type joystick with 1, 2 or 3 axes. Handle movement  $52^\circ$  in x- and y- direction and turn  $160^\circ$  in z- direction. Designed for electronic control and equipped with potentiometers. For maritime as well as shore based purposes. Delivered with traditional bellows, with or without visible fixing ring.

Note: Separate product sheets for Lilaas joystick models LF40, LF60 and L04.

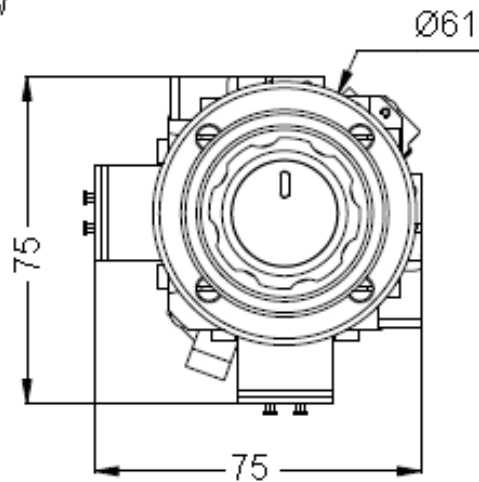
Talk to us:  
+47 33 03 18 50  
sales@lilaas.no

More information  
www.lilaas.no

# Joystick LF50



Above: Fixed termination  
 Right: Alternative termination  
 Below: Top view



## Technical description, standard

Handle:	Dull surface
Materials:	Stainless steel, brass, aluminium, POM
Standard pot.meters:	5K
Standard termination:	16 pins contact with plug
Enclosure:	IP56
Type approval :	EN/IEC 60945, ABS, BV, DNV, GL, KR, LR, NK, RINA, PRS, RS, CRS

## Options

- Built-in switches
- Spring-loaded return to neutral
- Alternative pot.meters

Other options on request