



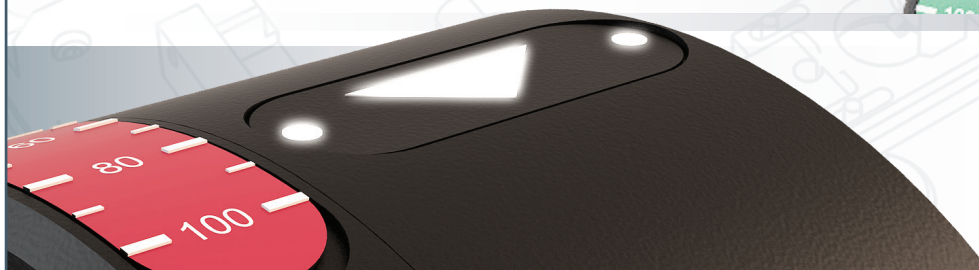
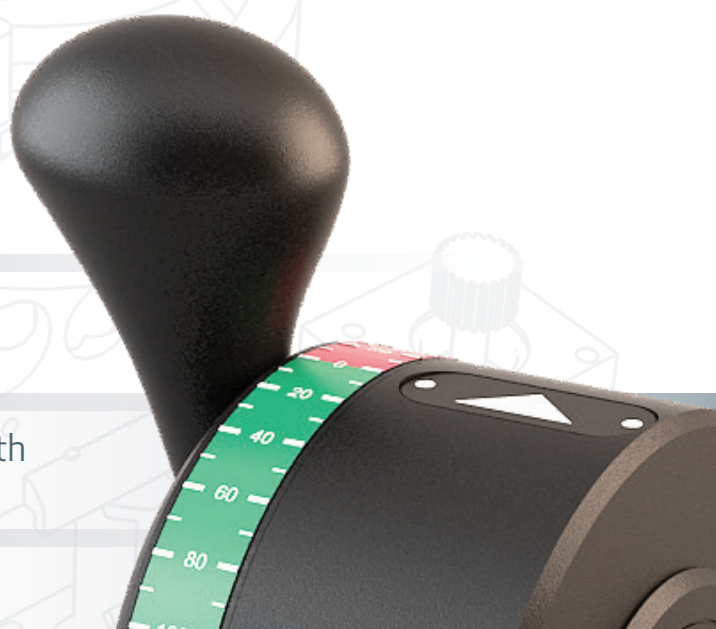
LF70 Azimuth control lever



Market leader - proven quality - preferred by navigators

LF70 is an azimuth dual axis control lever. It is intended for controlling two functions such as pitch or engine speed as well as thrust direction of the propeller.

- The control lever can be moved 120° vertically and continuously 360° horizontally.
- Designed for electronic control and equipped with potentiometers as required.
- Pointer and scales with integrated illumination.



LF70

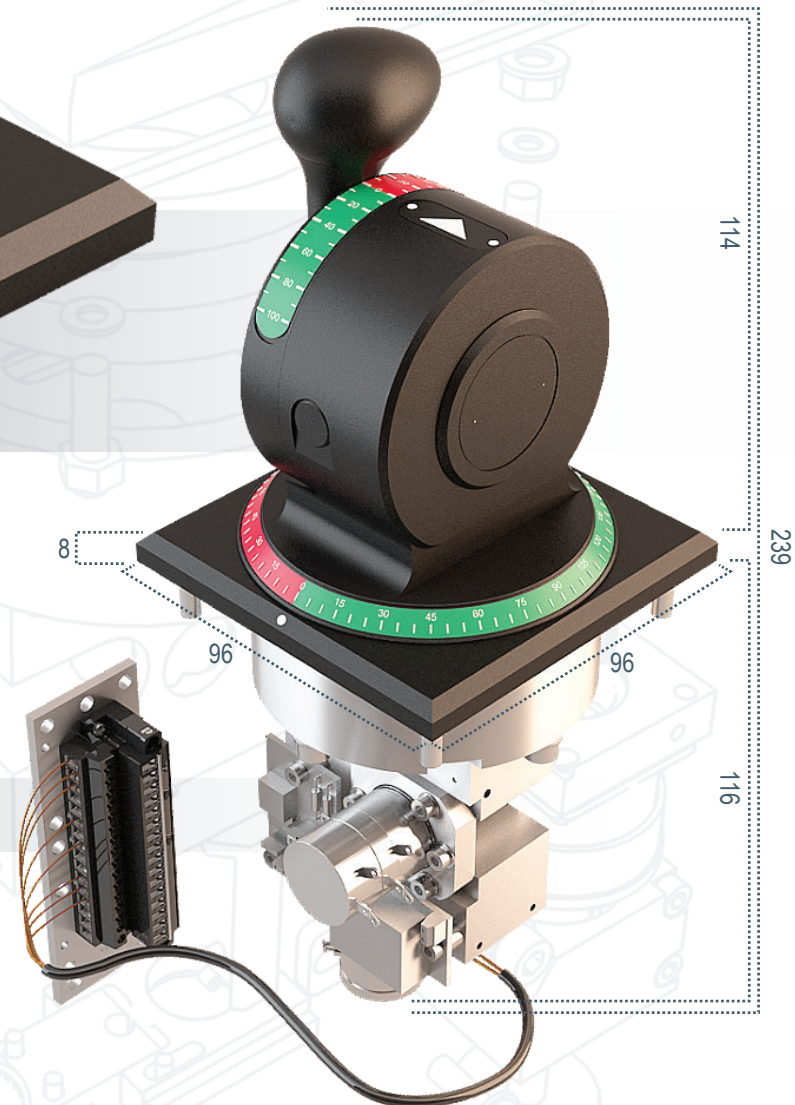


- LF70 is compact, rugged and combined dual controls simply and safely.
- Motorized version and Lilaas el-shaft system available as options.

- **Options**
 - Built-in switches
 - Limited deflection
 - Motorized axis
 - Alternative pot.meters
 - Alternative handles
 - Other options on request

• Technical description, standard

Panel plate and housing:	Coated aluminium
Handle:	Moulded polyurethane
Handle/azimuth movement:	120° / 360°
Illumiated scales:	Self-adhesive (24V)
Standard pot.meters:	5K
Potentiometer operation:	Gear Wheel
Standard termination:	16 pins contact with plug
Enclosure:	IP66
Type approval :	EN/IEC 60945, ABS, BV, DNV, GL, KR, LR, NK, RINA, PRS, RS, CRS



114

239

116

lilaas®

Lilaas AS is a world leading manufacturer of various types of control levers and joysticks for marine and offshore use.

As a result of unique design, top-grade materials and thorough test procedures, we produce products of high quality that requires a minimum of service and maintenance.

The control units from Lilaas include levers, controlling mechanism and accompanying electronics.

The products range from simple, one-axis control levers in different sizes, hand wheels and rudder controls to azimuth control units and multi-axis joysticks.

All units may be delivered motorised on all axes and with several optional features. The products comply with stringent certification requirements.

All kinds of vessels, from small fishing boats and ferries, via supply vessels to large tankers and cruise ships may be manoeuvred by control levers from Lilaas.

The products are certified by DNV and the company is certified under NS-EN ISO 9001:2008.

LILAAS AS

Kongeveien 75

P.B 705

N-3196 HORTEN

NORWAY

Tel: +47 33031850

Fax: +47 33031860

E-mail: sales@lilaas.no

www.lilaas.no

Certified Service Partner:
Z-POWER Automation Pte Ltd

No. 8 Penjuru Lane
Singapore 609189
SINGAPORE

Tel: +65 64651925
Fax: +65 64651926
E-mail: info@z-power.com.sg
www.z-power.com.sg

Certified Distributor:
Shanghai EJH Group Co., Ltd

Room 501, No.1165, Jiang Ning Road,
Shanghai, CHINA 200060

Tel: +86(21) 61072296/62300624/61398478
Hotline: 18017019329
Fax: +86 21 61303138
E-mail: sales@ejhui.com
www.ejhui.com