

LF70 Azimuth control lever



Compact and rugged construction for dual control.

LF70 is an azimuth control lever with dual axis. It is intended for controlling two functions such as pitch or engine speed as well as thrust direction of the propeller. The control lever can be moved 120° vertically and continuously 360° horizontally. It is designed for electronic control and equipped with potentiometer as required. Pointer and scales with integrated illumination. LF70 is compact, rugged and combined dual controls simply and safely.

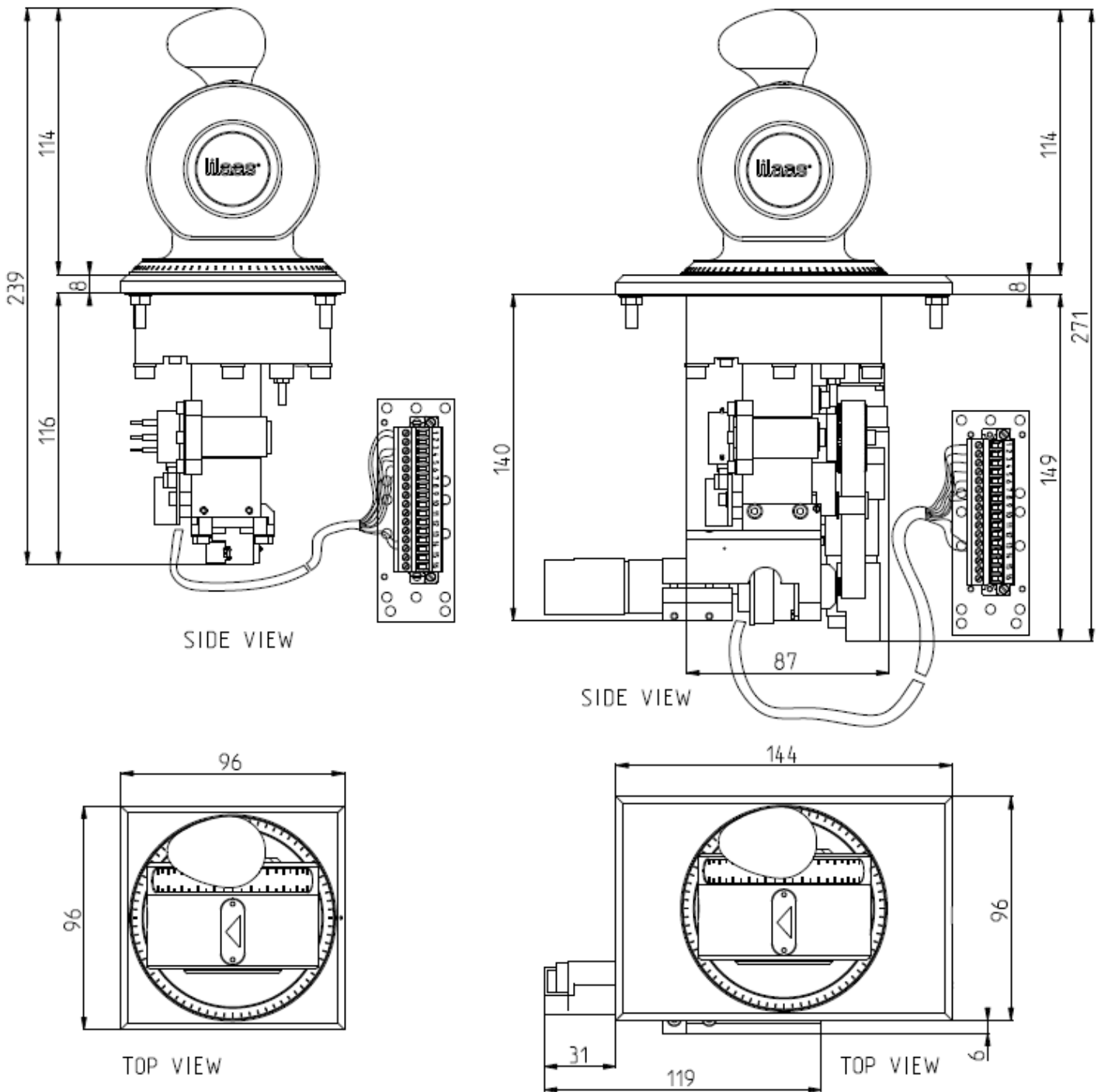
Motorized version and Lilaas el-shaft system available as options.

Talk to us:
+47 33 03 18 50
sales@lilaas.no

More information
www.lilaas.no

Azimuth control lever LF70

port - starboard, aftward - forward



Technical description, standard

Panel plate and housing:	Coated aluminium
Handle:	Moulded polyurethane
Handle / azimuth movement:	120° / 360°
Illuminated scales:	Self-adhesive (24V)
Standard pot.meters:	5K
Potentiometer operation:	Gear Wheel
Standard termination:	16 pins contact with plug
Enclosure:	IP66
Type approval :	EN/IEC 60945, ABS, BV, DNV, GL, KR, LR, NK, RINA, PRS, RS, CRS

Options

- Limited deflection
- Built-in switches
- Motorized axis
- Alternative pot.meters
- Alternative handles
- Other options on request